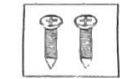
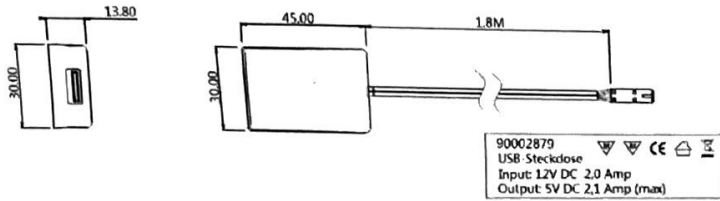


USB CHARGER INSTALLATION INSTRUCTION MENU



Screw 2.5 × 15
(4PCS)



fixer (5PCS)

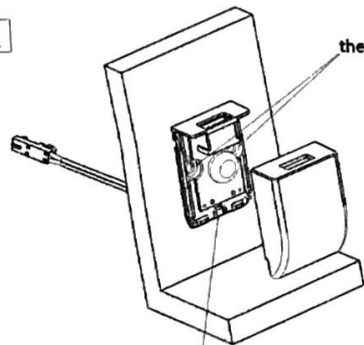


1. A disposal on domestic waste is not permitted!

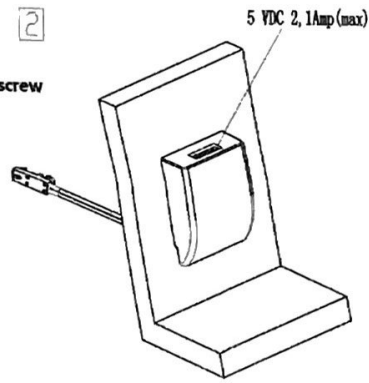
2. A disposal must be according the public requirements of waste disposal/recycling.

I. backside cable

1

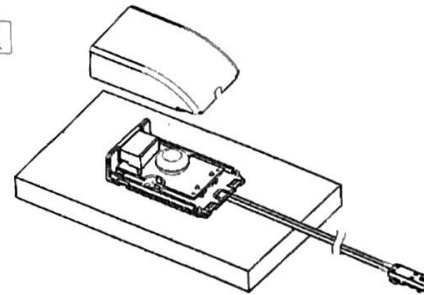


2



II. bottom cable

1



2

